

Available at specialist dealers:

NEW!

Attica-sheet-closer Vario 3.0

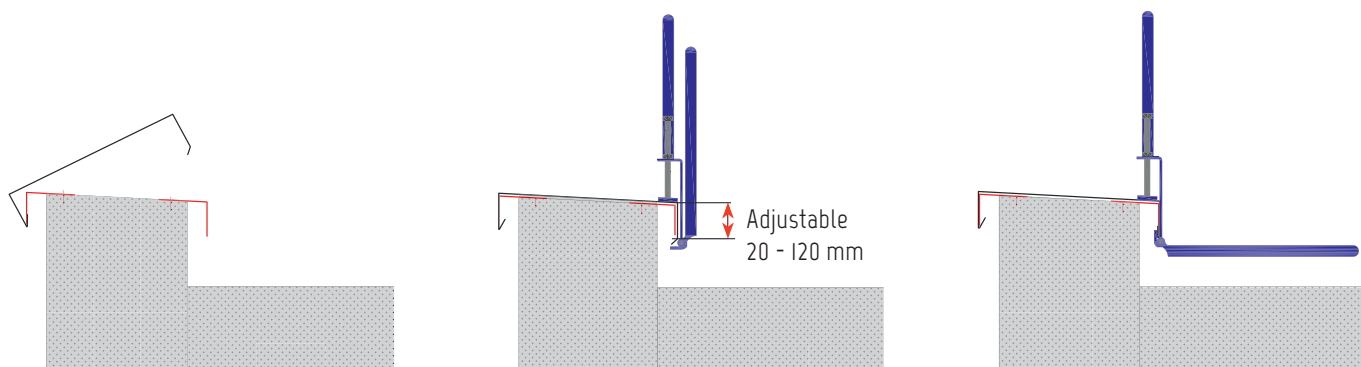
Art. FS-AS-03



For professional and simple closing the seam between sheet and fixingprofile. Especially suitable for wall-claddings, shaft-claddings etc.

(see figures)

- No scratching the metal surface due PVC-inlets.
- Adjustable deptset from 20 - 120 mm: **Now with fastlocksystem!**
- Easy adjustment due measuring scale
- Robust model for higher performance and thicker sheets



In different cases suitable ...



wall-cladding



shaft-cladding

DIMENSIONS:

width: 300 mm
 lenght: 410 mm
 weight: ca. 4100 g
 adjustable deptset:
 20 - 120 mm

FALZSID.AT • INNOVATIVE QUALITYTOOLS

Roland Jürgen Wutzl, Bahnstrasse 90/3, 3550 Langenlois, Austria
 Tel: +43(0)664/35 70 741, Fax: +43(0)2734/22 748, E-Mail: office@falzs Sid .at, www.falzs Sid .at

